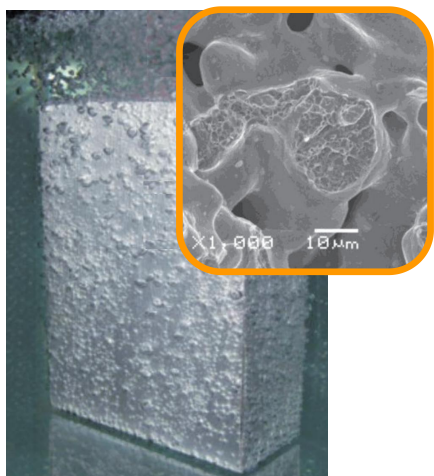


Breathable Steel



Performance	GBS10	GBS20	GBS30
Ø	10	20	30
Hardness	425±25 HV	425±25 HV	425±25 HV
Density	61-6.3/cm ³	61-6.3/cm ³	61-6.3/cm ³
Flexural strength	675±25Mpa	625±25Mpa	425±25Mpa
Tensile strength	465±15Mpa	425±25Mpa	275±25Mpa

- **Substrate hardness: pre-hardened 40-45 HRC**
- **Corrosion resistance: similar to 304 stainless steel**
- **Surface can be hardened to 800 HV above**

Breathable steel is a new type of porous metal material with advantages such as high strength, high toughness, corrosion resistance, and breathability. Using it on the mold, it can quickly remove the air in the mold cavity and the gas caused by plastic volatilization to eliminate defects caused by poor exhaust.



TYPE	Øµm	L +2/0	W +2/0	H +2/0
GBS-S	10	50	50	50
		75	75	30
	20	100	100	50
		300	200	50
	30	300	200	100
		600	450	125

The size 50 x 50 x 50mm above can be custom-made.
Order Sample: GBS-S-10-L-W-H



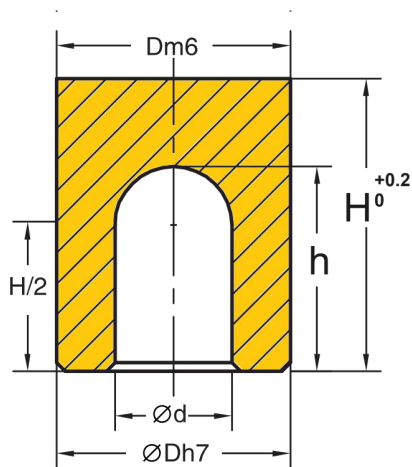
TYPE	Øµm	D +0/0.035	L +2/0
GBS-R	20	6	30~150
		8	
		10	
		12	50~200
		16	
		20	
	28		

Unit: mm

Breathable Insert

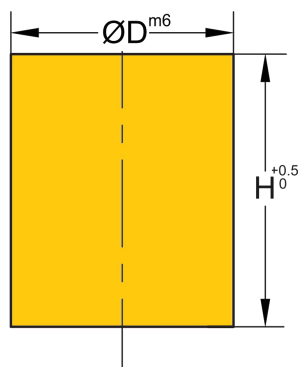


ØD	Dm6	Dm7
4	+0.012 +0.004	0
5		-0.012
6		
8	+0.015	0
10	+0.006	-0.015
12	+0.018 +0.007	0
16		-0.018
18		
20	+0.021	0
28	+0.008	-0.021



The exhaust hole diameter of the installation hole should be smaller than "d" size

TYPE	Ø µm	Dm6	Dm7	d	H	h
GBI-U	20	4	4	2	10	7
		5	5	3		
		6	6			
		8	8	4		
	30	10	10	6	12	8
		12	12			
		16	16	8		
		18	18	10		
	20	20		16	11	



TYPE	Øµm	Dm6	H
GBI-S	20	4	10
		5	
		6	
		8	
	30	10	12
		12	
		16	14
		18	15
20			

Unit: mm